



# Spare Parts Catalog

MT-E 3060 II

Doosan Infracore Co., Ltd,

Material number: 4472.048.213

Current date: 03.10.2016

ZF Friedrichshafen AG

Hauptverwaltung

80038 Friedrichshafen

Deutschland

Telefon: +49 7541 77-0

Telefax: +49 7541 77-908000

[www.zf.com](http://www.zf.com)

zuständiges Werk:

Passau

# Notes relating to the spare parts catalog

## Setup of the spare parts catalog

- Cover sheet
- Technical Cover (only in SDM print)
- Overview of figures
- Figure
- Associated parts list
- Next figure
- Associated parts list
- ...

## Figure and parts list



## Overview of figures

Bildtafel Figure	Sachnummer Product number	Benennung (Description)	Technische Info Technical info	Description (Benennung)	Menge Quantity	Einheit Unit
068.08.17	1316.170.001	AUSLEGER	WL	SHIFT TURRET	1	Stk
068.08.06	1316.170.031	DECKEL	WL*H-H *VM	COVER	1	Stk
068.08.14	1316.170.808	DECKEL	WL*AUSL+GEH*H-H*HF160N	COVER	1	Stk
08	1316.170.441	ANSCHLUSSTEILE	WL*NG-VORB*RG-SCHL*168N *BAJONETT	CONNECTING PARTS	1	Stk

The "gap" indicates that there is no separate graphics panel (poster) for this assembly  
The parts of this assembly are shown with the same mid-section number on the figure

### 1 Positions and subpositions

Pos.	Sachnummer Product number	Benennung (Description)	Technische Info Technical info	Description (Benennung)	Menge Quantity	Einheit Unit
0370	1315.201.054	RUECKLAUFBOLZEN	KPL.16S151*SG*L= 79	REV.IDLER SHAFT	1	Stk
/0120	0631.329.293	SPANNSTIFT		SLOT. PIN	1	Stk

Positions marked with "/" are the individual items of a completion  
For example: Position 0370 contains a centering pin with the position /0120

### 2 Combinations with standardized parts

Pos.	Sachnummer Product number	Benennung (Description)	Technische Info Technical info	Description (Benennung)	Menge Quantity	Einheit Unit
0630		VERSCHL.SCHR.		SCREW PLUG	1	Stk
	0636.302.067	VERSCHL.SCHR.		SCREW PLUG	1	Stk
	0634.801.249	DICHTRING	A 26 X 31	SEALING RING	1	Stk

The parts list shows the components included in the combination of standardized parts

### 3 Depiction of position/item number on the figure and in the parts list

01.620 - on the figure      01 relates to the assembly in which the position is included. Due to program-related reasons, it is shown on the figure.

0620 - in the parts list

Pos.	Sachnummer Product number	Benennung (Description)	Technische Info Technical info	Description (Benennung)	Menge Quantity	Einheit Unit
0620	0732.040.736	DRUCKFEDER		COMPRESSION SPRING	1	Stk

### 4 \*-Positions

Positions marked with an \* are optional i.e. inclusion in the parts list is not mandatory.  
The following note is shown on the figure

je nach Stücklistenausführung  
depending on spec. number  
\*  
suivant la nomenclature  
secondo la distinta base

### 5 Parts, dotted display

Parts with dotted display on the figure are only used for orientation of other parts

# Plant

Page 1 from 1

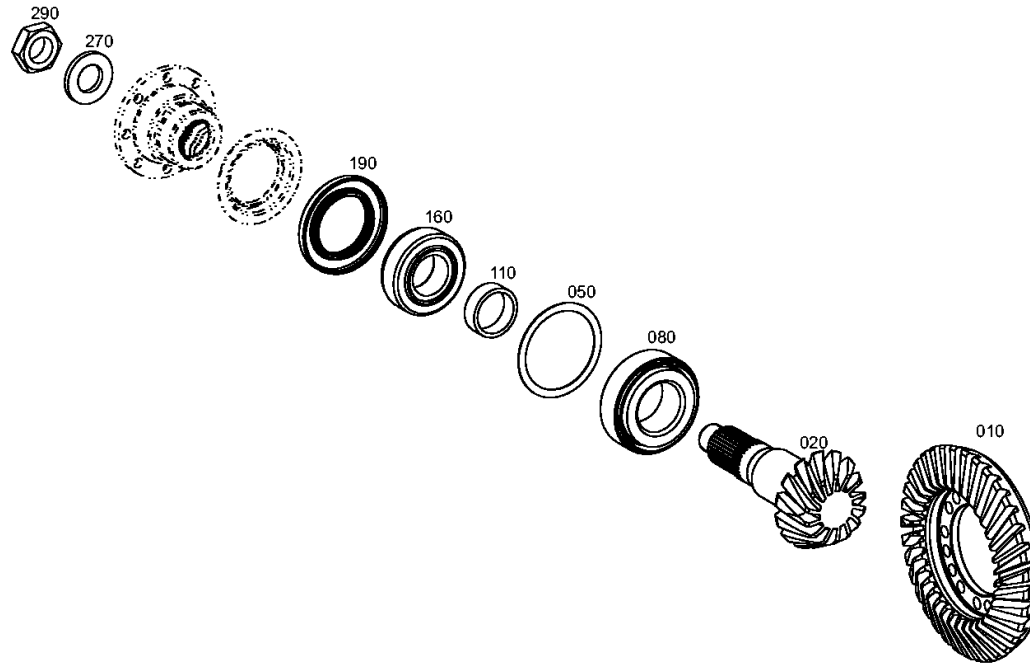
Material number: 4472.048.213

Plant: 447212502250

Material-assembly-group-no: 4472.125.022



MT-E 3060 II / Doosan Infracore Co., Ltd,  
INPUT



# Plant

Page 1 from 1

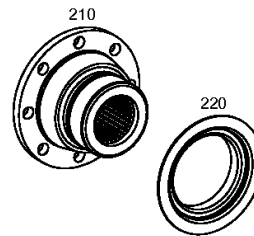
Material number: 4472.048.213

Plant: 447212540550

Material-assembly-group-no: 4472.125.405



MT-E 3060 II / Doosan Infracore Co., Ltd,  
INPUT



# Plant

Page 1 from 2

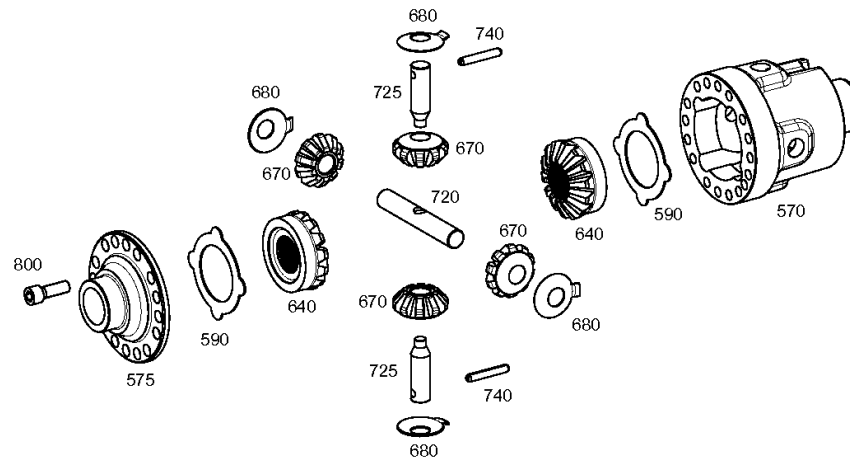
Material number: 4472.048.213

Plant: 448203000100

Material-assembly-group-no: 4482.030.001



MT-E 3060 II / Doosan Infracore Co., Ltd,  
DIFFERENTIAL



# Plant

Page 2 from 2

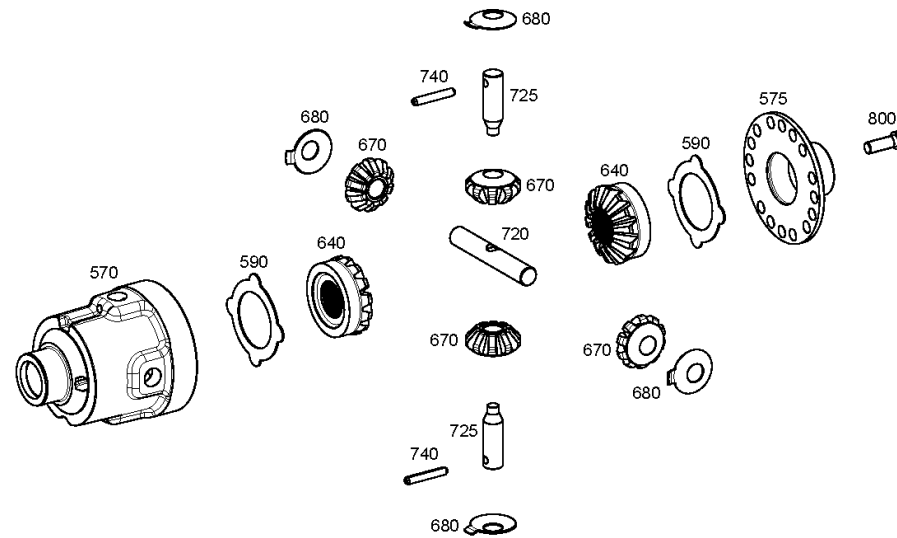
Material number: 4472.048.213

Plant: 448203000150

Material-assembly-group-no: 4482.030.001



MT-E 3060 II / Doosan Infracore Co., Ltd,  
DIFFERENTIAL



# Plant

Page 1 from 1

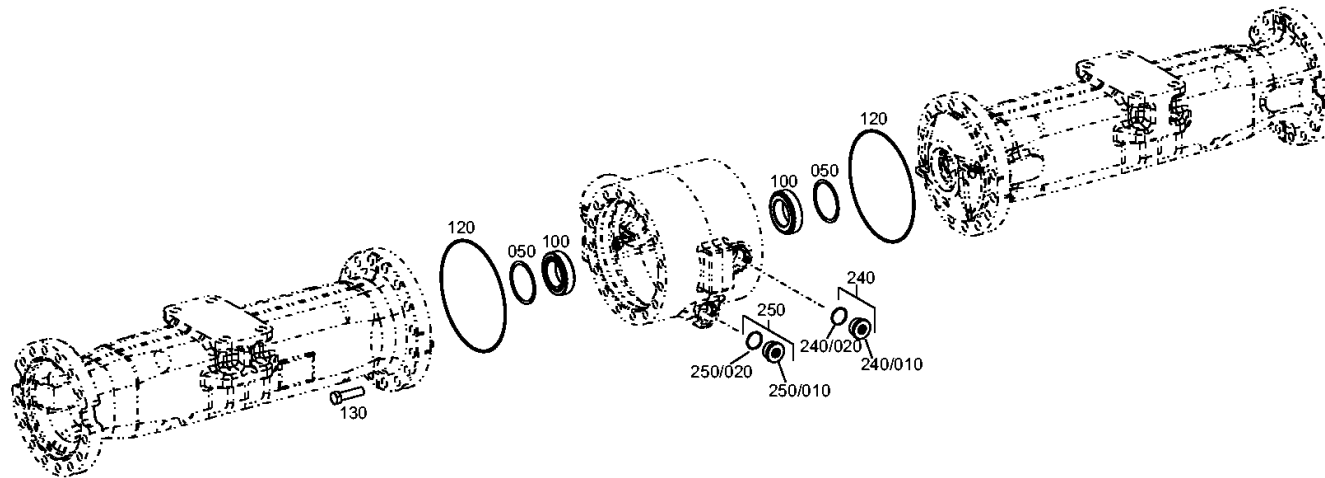
Material number: 4472.048.213

Plant: 447212601150

Material-assembly-group-no: 4472.126.011



MT-E 3060 II / Doosan Infracore Co., Ltd,  
AXLE CASING



# Plant

Page 1 from 1

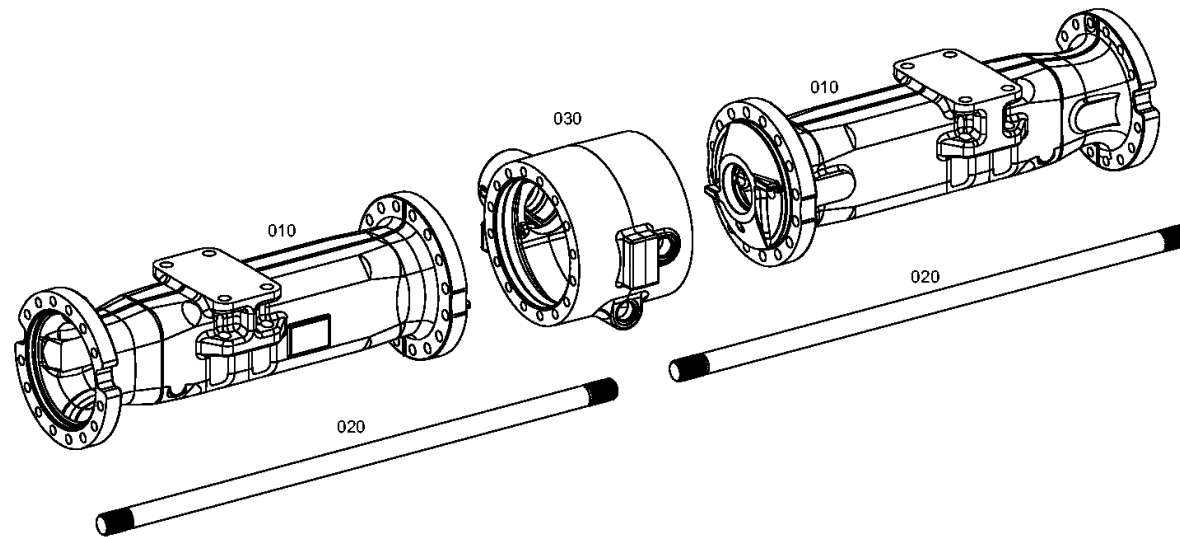
Material number: 4472.048.213

Plant: 447212643400

Material-assembly-group-no: 4472.126.434



MT-E 3060 II / Doosan Infracore Co., Ltd,  
AXLE CASING





# Plant

Page 1 from 1

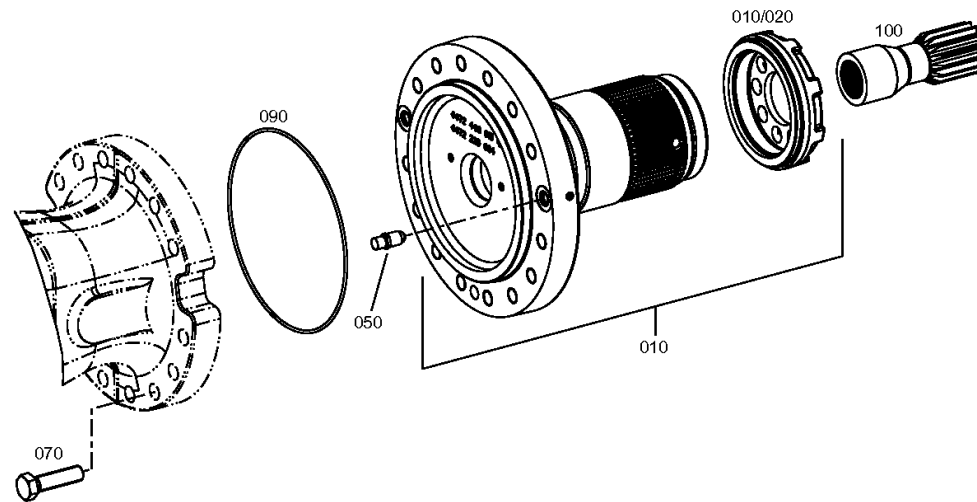
Material number: 4472.048.213

Plant: 447212900900

Material-assembly-group-no: 4472.129.009



MT-E 3060 II / Doosan Infracore Co., Ltd,  
HUB CARRIER



# Plant

Page 1 from 1

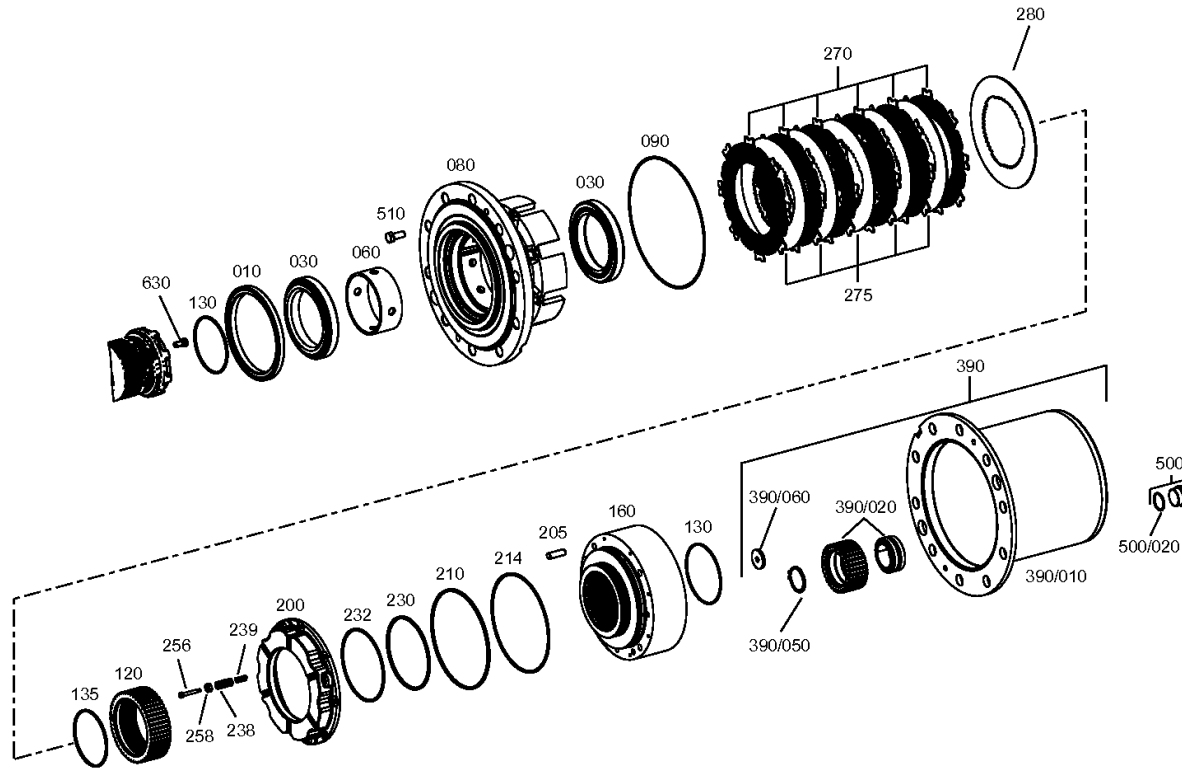
Material number: 4472.048.213

Plant: 447213303700

Material-assembly-group-no: 4472.133.037



MT-E 3060 II / Doosan Infracore Co., Ltd.  
OUTPUT



# Plant

Page 1 from 1

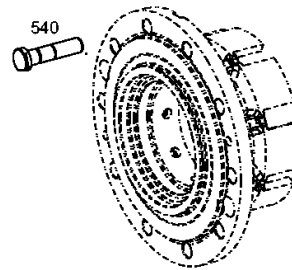
Material number: 4472.048.213

Plant: 447213340800

Material-assembly-group-no: 4472.133.408



MT-E 3060 II / Doosan Infracore Co., Ltd,  
OUTPUT



# Plant

Page 1 from 1

Material number: 4472.048.213

Plant: 414313900100

Material-assembly-group-no: 4143.139.001



MT-E 3060 II / Doosan Infracore Co., Ltd,  
TYPE PLATE

