



Spare Parts Catalog

MS-B 3025

JOHN DEERE

Material number: 4475.004.095

Current date: 29.07.2016

ZF Friedrichshafen AG
Hauptverwaltung
80038 Friedrichshafen
Deutschland

Telefon: +49 7541 77-0

Telefax: +49 7541 77-908000

www.zf.com

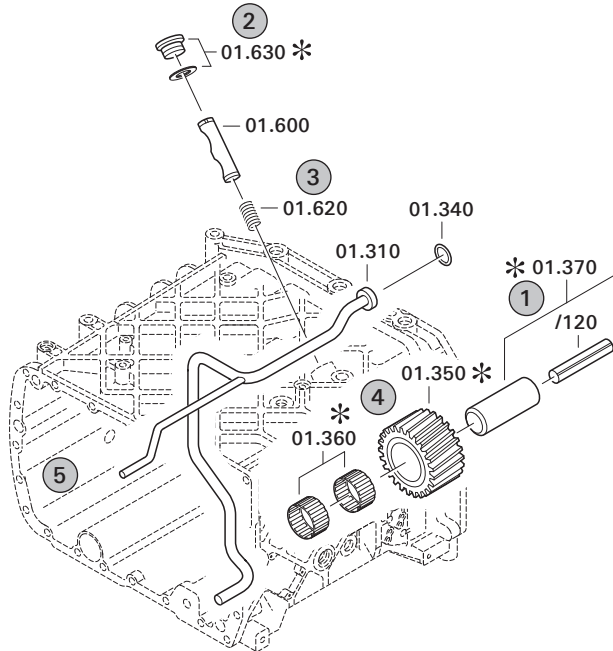
zuständiges Werk:
Passau

Notes relating to the spare parts catalog

Setup of the spare parts catalog

- Cover sheet
- Technical Cover (only in SDM print)
- Overview of figures
- Figure
- Associated parts list
- Next figure
- Associated parts list
- ...

Figure and parts list



Overview of figures

Bildtafel Figure	Sachnummer Product number	Benennung (Description)	Technische Info Technical info	Description (Benennung)	Menge Quantity	Einheit Unit
068.08.17	1316.170.001	AUSLEGER	WL	SHIFT TURRET	1	Stk
068.08.06	1316.170.031	DECKEL	WL*H-H *VM	COVER	1	Stk
068.08.14	1316.170.808	DECKEL	WL*AUSL+GEH*H-H*HF160N	COVER	1	Stk
08	1316.170.441	ANSCHLUSSTEILE	WL*NG-VORB*RG-SCHL*168N *BAJONETT	CONNECTING PARTS	1	Stk

The "gap" indicates that there is no separate graphics panel (poster) for this assembly
The parts of this assembly are shown with the same mid-section number on the figure

1 Positions and subpositions

Pos.	Sachnummer Product number	Benennung (Description)	Technische Info Technical info	Description (Benennung)	Menge Quantity	Einheit Unit
0370	1315.201.054	RUECKLAUFBOLZEN	KPL.16S151*SG*L= 79	REV.IDLER SHAFT	1	Stk
/0120	0631.329.293	SPANNSTIFT		SLOT. PIN	1	Stk

Positions marked with "/" are the individual items of a completion
For example: Position 0370 contains a centering pin with the position /0120

2 Combinations with standardized parts

Pos.	Sachnummer Product number	Benennung (Description)	Technische Info Technical info	Description (Benennung)	Menge Quantity	Einheit Unit
0630		VERSCHL.SCHR.		SCREW PLUG	1	Stk
	0636.302.067	VERSCHL.SCHR.		SCREW PLUG	1	Stk
	0634.801.249	DICHTRING	A 26 X 31	SEALING RING	1	Stk

The parts list shows the components included in the combination of standardized parts

3 Depiction of position/item number on the figure and in the parts list

01.620 - on the figure 01 relates to the assembly in which the position is included. Due to program-related reasons, it is shown on the figure.

0620 - in the parts list

Pos.	Sachnummer Product number	Benennung (Description)	Technische Info Technical info	Description (Benennung)	Menge Quantity	Einheit Unit
0620	0732.040.736	DRUCKFEDER		COMPRESSION SPRING	1	Stk

4 *-Positions

Positions marked with an * are optional i.e. inclusion in the parts list is not mandatory.
The following note is shown on the figure

je nach Stücklistenausführung
depending on spec. number
*
suivant la nomenclature
secondo la distinta base

5 Parts, dotted display

Parts with dotted display on the figure are only used for orientation of other parts

Technical Cover

Page 1 from 2

Material number: 4475.004.095



MS-B 3025 / JOHN DEERE

Pos.	Information	Amendment number
	PRODUCT DESCRIPTION: ZF- MULTISTEER- AXLE	
	VEHICLE TYPE: BACKHOE LOADER	
	AXLE TYPE: MS-B 3025	
	VERSION: STEERABLE	
	AXLE ARRANGEMENT: FRONT AXLE	
	DIRECTION OF ROTATION: CW	
	CROWN WHEEL POSITION: LEFT	
	SPIRAL DIRECTION: RIGHT	
	INPUT FLANGE: DS 1350	
	FLANGE TO FLANGE DIM.: 1.776 MM	
	AXLE INSTALLATION: ABOVE CENTER PIVOT	
	MOUNTING DIMENSIONS: 120X314/D=45,09	
	MAIN DIFFERENTIAL: LIMITED-SLIP DIFFERENTIAL	
	LOCKING RATIO: 45%	
	AXLE RATIO: 14,760	
	STEERING CYLINDER SIZE: 65 X 40	
	STEER. ANGLE SENSOR: WITHOUT	
	STEERING VERSION: STANDARD (HIGH PRESURE)	
	MAX STEERING ANGLE: 52 GRAD	
	PORT SIZE: 9/16 - 18 UNF 2B	
	PLANETARY DRIVE: P3, I=7,125	
	BRAKE : WITHOUT	
	RIM PITCH CIRCLE DIAM.: 275,00 MM	
	WHEEL CONNECTION: BOLT 8 X M22 X 1,5 X 47	
	WHEEL NUTS: WITHOUT	
	OIL FILLING AXLE DRIVE: WITH	
	OIL - GRADE AXLE DRIVE: TE ML 05	
	PRIMER PAINT: YELLOW RAL 1006	
	PAINT-FREE AREA: STANDARD BACKHOE LOADER	
	TYPE PLATE: ZF- STANDARD	
	PLANETARY DRIVE OIL CAP 0,80 L	
	AXLE HOUSING OIL CAPACI 6,30 L	
	OIL FILL QUANTITY CA: 7,90 L	

Technical Cover

Page 2 from 2

Material number: 4475.004.095



MS-B 3025 / JOHN DEERE

Pos.	Information	Amendment number
	DOCUMENTATION: -----	
	SECTION DRAWING: 4475 004 091	
	INSTALLATION DRAWING: 4475 604 045	
	INSTALL. INSTRUCTION: 4475 700 081	
	TESTING INSTRUCTION: 4475 760 028	

Plant

Page 1 from 1

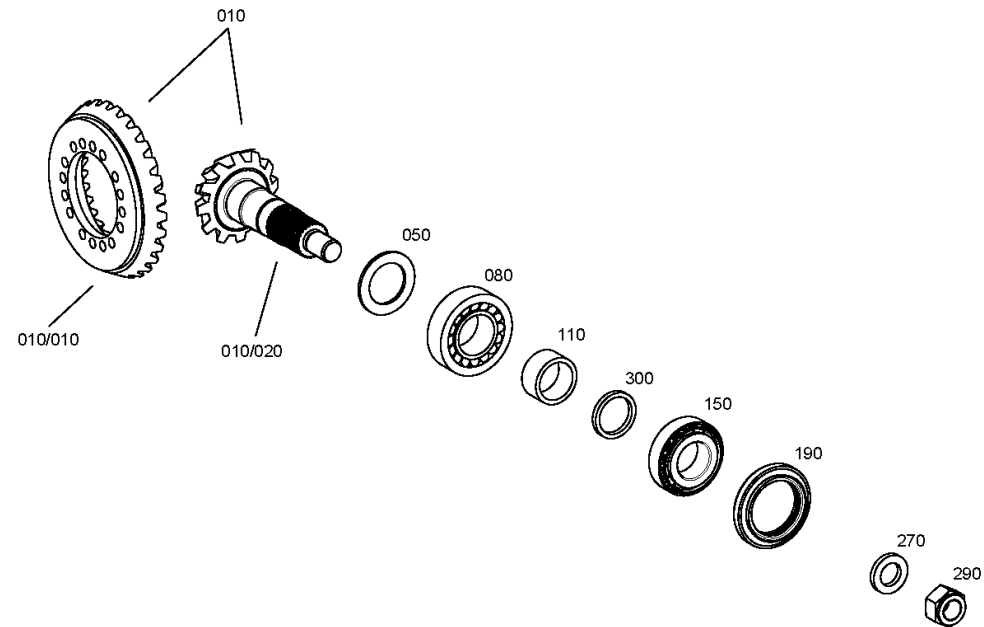
Material number: 4475.004.095

Plant: 447510220400

Material-assembly-group-no: 4475.102.204



MS-B 3025 / JOHN DEERE
INPUT



Plant

Page 1 from 1

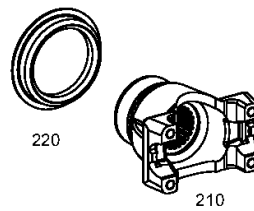
Material number: 4475.004.095

Plant: 447510245900

Material-assembly-group-no: 4475.102.459



MS-B 3025 / JOHN DEERE
INPUT



Plant

Page 1 from 1

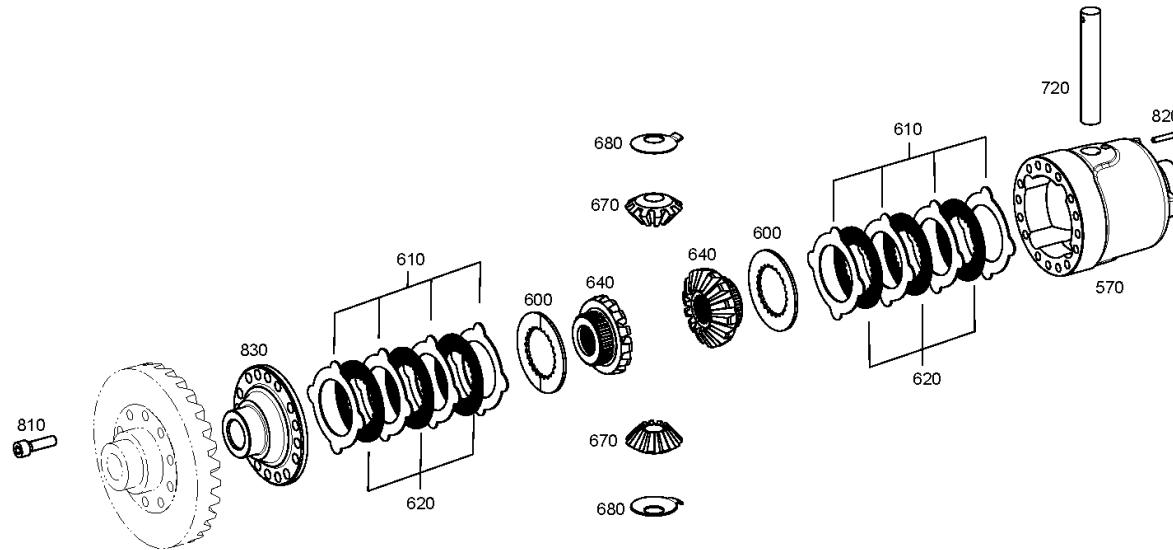
Material number: 4475.004.095

Plant: 448202100600

Material-assembly-group-no: 4482.021.006



MS-B 3025 / JOHN DEERE
DIFFERENTIAL 250



Plant

Page 1 from 1

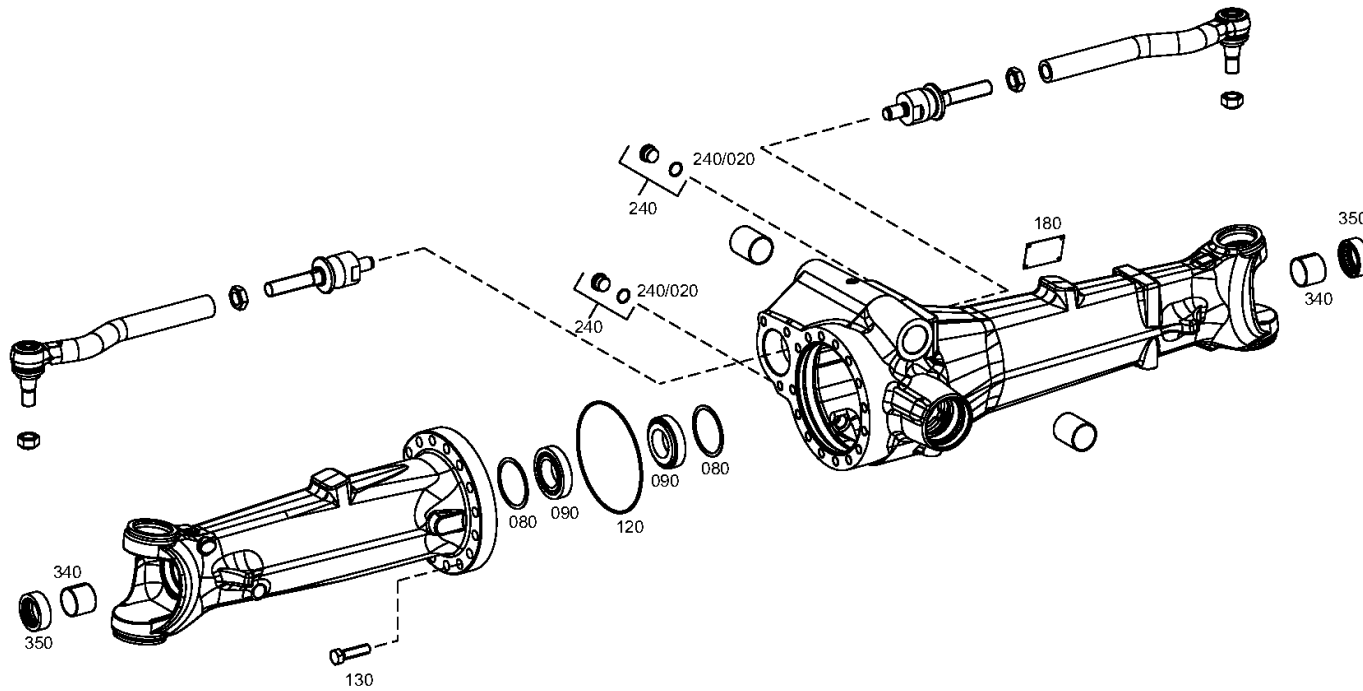
Material number: 4475.004.095

Plant: 447510120700

Material-assembly-group-no: 4475.101.207



MS-B 3025 / JOHN DEERE
AXLE CASING



Plant

Page 1 from 1

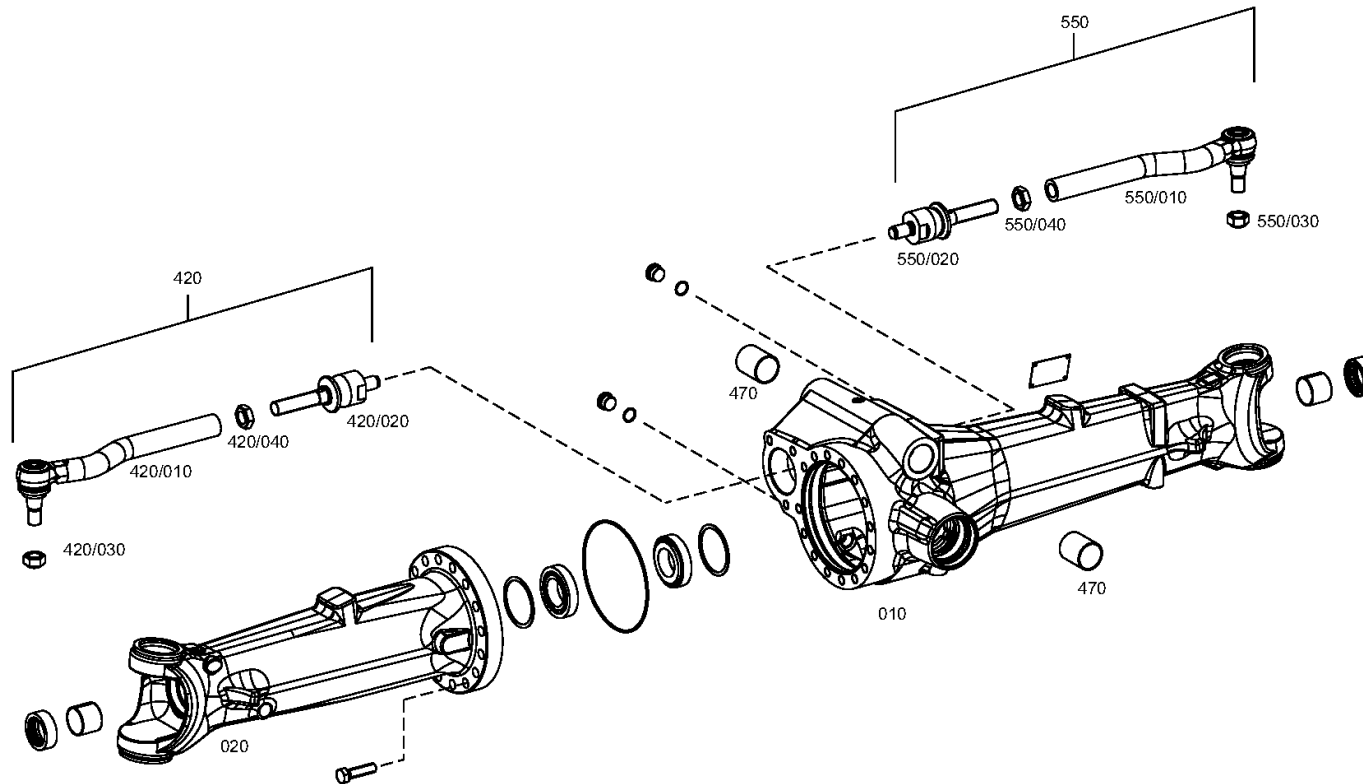
Material number: 4475.004.095

Plant: 447510160700

Material-assembly-group-no: 4475.101.607



MS-B 3025 / JOHN DEERE
AXLE CASING



Plant

Page 1 from 1

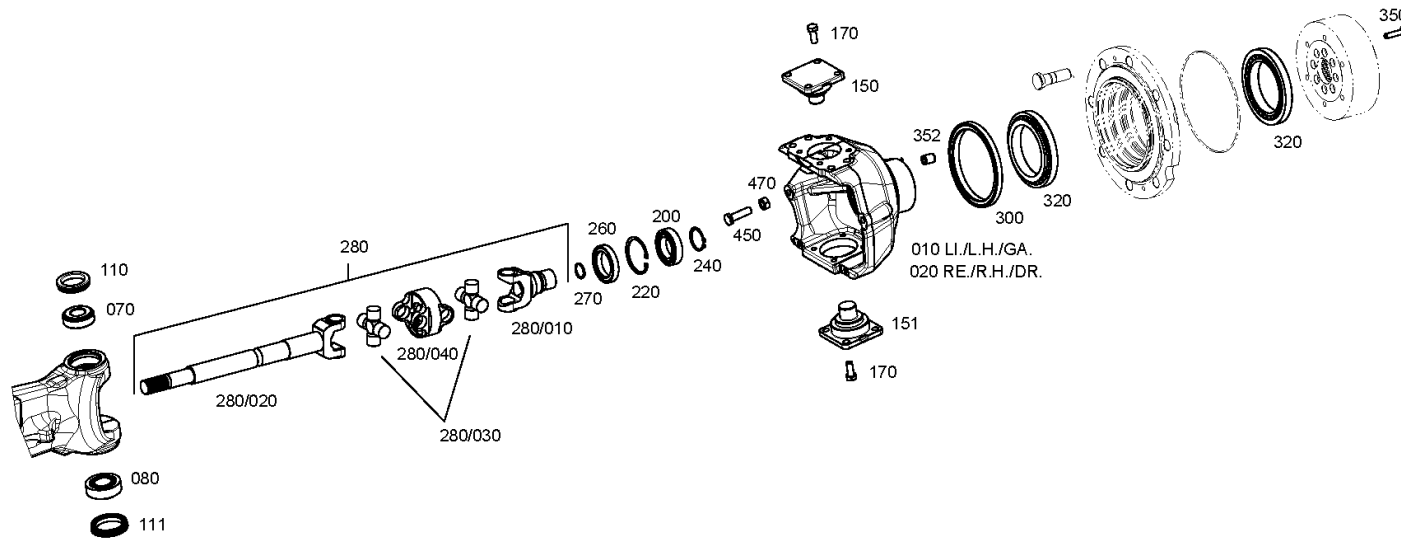
Material number: 4475.004.095

Plant: 447510316100

Material-assembly-group-no: 4475.103.161



MS-B 3025 / JOHN DEERE
JOINT HOUSING



Plant

Page 1 from 1

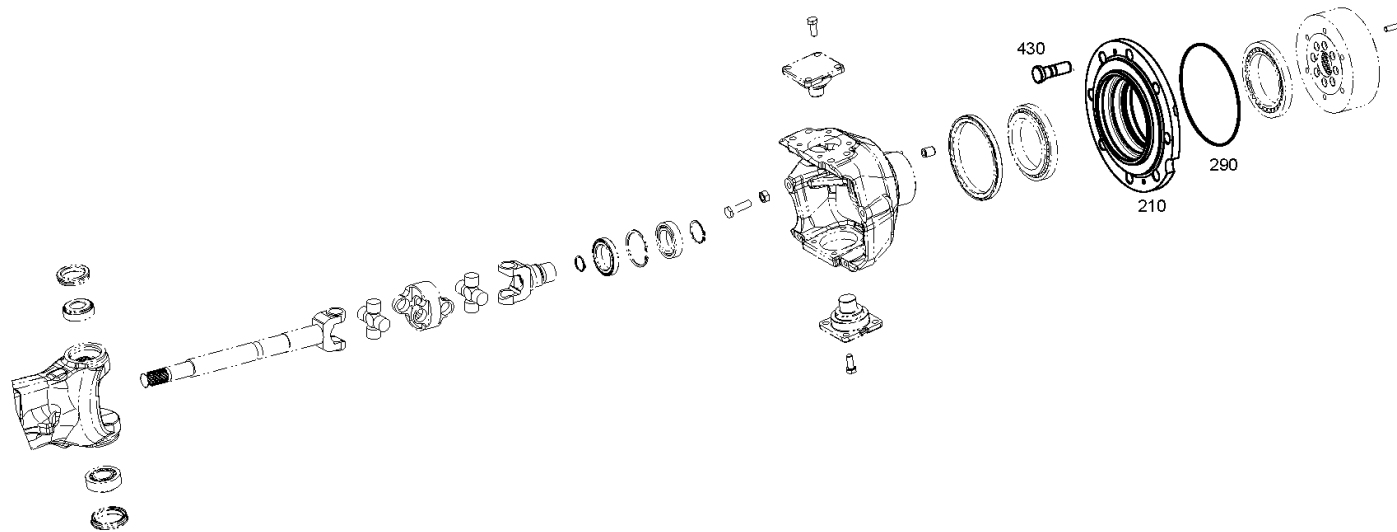
Material number: 4475.004.095

Plant: 447510346700

Material-assembly-group-no: 4475.103.467



MS-B 3025 / JOHN DEERE
JOINT HOUSING



Plant

Page 1 from 1

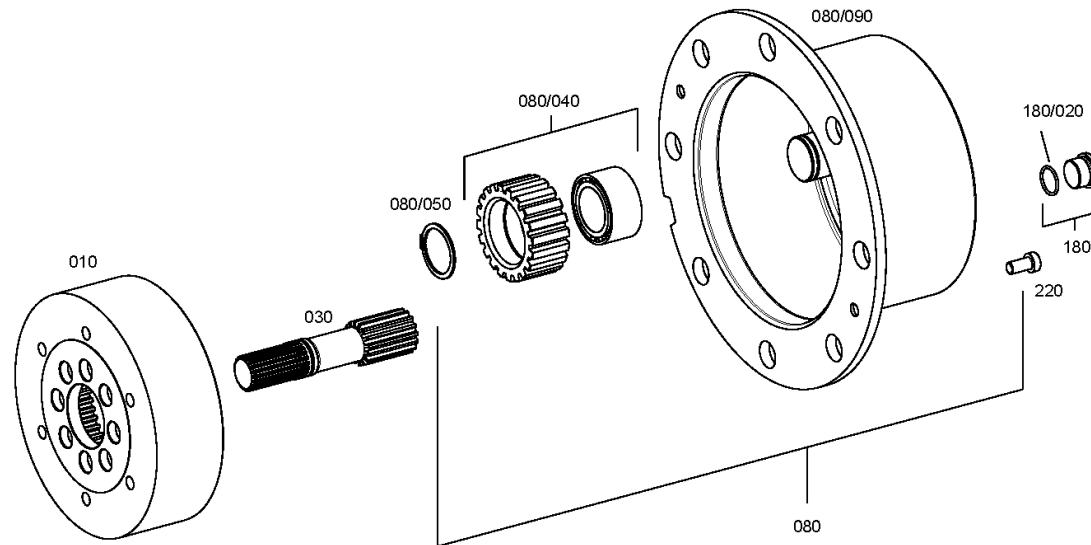
Material number: 4475.004.095

Plant: 447510409700

Material-assembly-group-no: 4475.104.097



MS-B 3025 / JOHN DEERE
PLANETARY DRIVE



Plant

Page 1 from 1

Material number: 4475.004.095

Plant: 447510508500

Material-assembly-group-no: 4475.105.085



MS-B 3025 / JOHN DEERE
STEERING

