



Spare Parts Catalog

MS 2045

Material number: 4475.006.113

Current date: 01.08.2016

ZF Friedrichshafen AG
Hauptverwaltung
80038 Friedrichshafen
Deutschland

Telefon: +49 7541 77-0

Telefax: +49 7541 77-908000

www.zf.com

zuständiges Werk:
Passau

Notes relating to the spare parts catalog

Setup of the spare parts catalog

- Cover sheet
- Technical Cover (only in SDM print)
- Overview of figures
- Figure
- Associated parts list
- Next figure
- Associated parts list
- ...

Figure and parts list



Overview of figures

Bildtafel Figure	Sachnummer Product number	Benennung (Description)	Technische Info Technical info	Description (Benennung)	Menge Quantity	Einheit Unit
068.08.17	1316.170.001	AUSLEGER	WL	SHIFT TURRET	1	Stk
068.08.06	1316.170.031	DECKEL	WL*H-H *VM	COVER	1	Stk
068.08.14	1316.170.808	DECKEL	WL*AUSL+GEH*H-H*HF160N	COVER	1	Stk
08	1316.170.441	ANSCHLUSSTEILE	WL*NG-VORB*RG-SCHL*168N *BAJONETT	CONNECTING PARTS	1	Stk

The "gap" indicates that there is no separate graphics panel (poster) for this assembly
 The parts of this assembly are shown with the same mid-section number on the figure

1 Positions and subpositions

Pos.	Sachnummer Product number	Benennung (Description)	Technische Info Technical info	Description (Benennung)	Menge Quantity	Einheit Unit
0370	1315.201.054	RUECKLAUFBOLZEN	KPL.16S151*SG*L= 79	REV.IDLER SHAFT	1	Stk
/0120	0631.329.293	SPANNSTIFT		SLOT. PIN	1	Stk

Positions marked with "/" are the individual items of a completion
 For example: Position 0370 contains a centering pin with the position /0120

2 Combinations with standardized parts

Pos.	Sachnummer Product number	Benennung (Description)	Technische Info Technical info	Description (Benennung)	Menge Quantity	Einheit Unit
0630		VERSCHL.SCHR.		SCREW PLUG	1	Stk
	0636.302.067	VERSCHL.SCHR.		SCREW PLUG	1	Stk
	0634.801.249	DICHTRING	A 26 X 31	SEALING RING	1	Stk

The parts list shows the components included in the combination of standardized parts

3 Depiction of position/item number on the figure and in the parts list

01.620 - on the figure 01 relates to the assembly in which the position is included. Due to program-related reasons, it is shown on the figure.

0620 - in the parts list

Pos.	Sachnummer Product number	Benennung (Description)	Technische Info Technical info	Description (Benennung)	Menge Quantity	Einheit Unit
0620	0732.040.736	DRUCKFEDER		COMPRESSION SPRING	1	Stk

4 *-Positions

Positions marked with an * are optional i.e. inclusion in the parts list is not mandatory.
 The following note is shown on the figure

je nach Stücklistenausführung
 depending on spec. number
 *
 suivant la nomenclature
 secondo la distinta base

5 Parts, dotted display

Parts with dotted display on the figure are only used for orientation of other parts

Technical Cover

Page 1 from 2

Material number: 4475.006.113



MS 2045 /

Pos.	Information	Amendment number
	CUSTOMER: HIDROMEK	
	VEHICLE DESIGNATION: 102B	
	TYRE SIZE: 16.0/70-20X14PR	
	TYRE RADIUS DYN.: 0,506 M	
	MAX. SPEED: 37,00 KM/H	
	PRODUCT DESCRIPTION: ZF- MULTISTEER- AXLE	
	VEHICLE TYPE: BACKHOE LOADER	
	AXLE TYPE: MS-2045	
	PRODUCTION LOCATION: ZF STANKOV	
	VERSION: STEERABLE	
	AXLE ARRANGEMENT: FRONT AXLE	
	DIRECTION OF ROTATION: CW	
	CROWN WHEEL POSITION: LEFT	
	SPIRAL DIRECTION: RIGHT	
	INSTALL.AXLE INPUT: INPUT FLANGE	
	INPUT FLANGE: DS 1410	
	FLANGE TO FLANGE DIM.: 1.900 MM	
	AXLE INSTALLATION: ABOVE CENTER PIVOT	
	MOUNTING DIMENSIONS: 107X304/D=55,06	
	MAIN DIFFERENTIAL: LIMITED-SLIP DIFFERENTIAL	
	LOCKING RATIO: 45%	
	AXLE RATIO: 13,122	
	STEERING CYLINDER SIZE: 75 X 50	
	STEER. ANGLE SENSOR: WITHOUT	
	STEERING VERSION: STANDARD (HIGH PRESURE)	
	MAX STEERING ANGLE: 33 GRAD	
	PORT SIZE: 9/16 - 18 UNF 2B	
	PLANETARY DRIVE: P3, I=6,0	
	BRAKE : WITHOUT	
	RIM PITCH CIRCLE DIAM.: 275,00 MM	
	WHEEL CONNECTION: BOLT 8 X M18 X 1,5	
	VS RADMUTTER STANDARD	
	WHEEL NUTS: WITHOUT	



Pos.	Information	Amendment number
	OIL FILLING AXLE DRIVE: WITH	
	OIL - GRADE AXLE DRIVE: TE ML 05	
	WITH OR WITHOUT PAINTING PRIMING	
	PRIMER PAINT: BLACK RAL 9005	
	PAINT-FREE AREA: STANDARD BACKHOE LOADER	
	TYPE PLATE: ZF- STANKOV STANDARD	
	AXLE BREATHER: NOT REQUIRED	
	PLANETARY DRIVE OIL CAPACITY: 0,80 L	
	AXLE HOUSING OIL CAPACITY: 9,00 L	
	OIL FILL QUANTITY CA: 10,60 L	
	DOCUMENTATION: -----	
	SECTION DRAWING: 4475.006.086	
	INSTALLATION DRAWING: 4475.606.063	
	INSTALLATION INSTRUCTION: 4475.700.081	
	TESTING INSTRUCTION: 4475.760.003	

Assembly group overview

Page 1 from 1

Material number: 4475.006.113



MS 2045 /

Graphics	Pos.	Material number	Name	Quantity	Amend. no.	Techn. Info.
4475102253 00	10	4475.102.253	INPUT	1		
4475102445 00	20	4475.102.445	INPUT FLANGE	1		
4131003081 00	30	4131.003.081	LIMIT.SLIP DIFF	1		
4475101157 00	70	4475.101.157	AXLE CASING	1		
4475101602 00	80	4475.101.602	AXLE CASING	1		
4475103180 00	90	4475.103.180	JOINT HOUSING	1		
4475103476 00	100	4475.103.476	JOINT HOUSING	1		
4475104161 00	110	4475.104.161	PLANETARY DRIVE	1		
4475105100 00	120	4475.105.100	STEERING	1		

Plant

Page 1 from 1

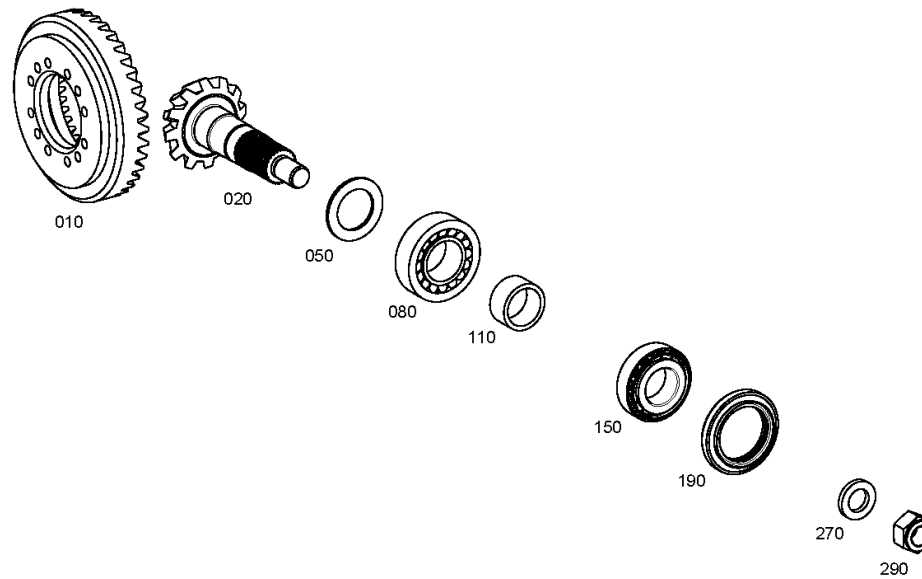
Material number: 4475.006.113

Plant: 447510225300

Material-assembly-group-no: 4475.102.253



MS 2045 /
INPUT



Parts list

Page 1 from 3



MS 2045 /

Material number: 4475.006.113

Plant: 447510225300

Material-assembly-group-no: 4475.102.253

Pos.	Material number	Customer material	Name	Quantity	ME	Amend. no.	Techn. Info.	Rep kit	Alternative material
10	4475.306.445		CROWN WHEEL	1			Z=35		
20	4475.306.447		PINION	1			Z=16*Z=26		
50	---		WASHER	1					
---	0730.105.103		WASHER	1			S=1,0		
---	0730.105.104		WASHER	1			S=1,05		
---	0730.105.105		WASHER	1			S=1,1		
---	0730.105.106		WASHER	1			S=1,15		
---	0730.104.423		WASHER	1			S=1,2		
---	0730.105.107		WASHER	1			S=1,25		
---	0730.105.108		WASHER	1			S=1,3		
---	0730.105.109		WASHER	1			S=1,35		
---	0730.105.110		WASHER	1			S=1,4		
---	0730.105.111		WASHER	1			S=1,45		
---	0730.105.112		WASHER	1			S=1,5		
---	0730.105.113		WASHER	1			S=1,55		
---	0730.105.114		WASHER	1			S=1,6		
---	0730.105.230		WASHER	1			S=0,9		
---	0730.105.231		WASHER	1			S=0,95		
---	0730.105.438		WASHER	1			S=0,65		
---	0730.105.439		WASHER	1			S=0,70		
---	0730.105.440		WASHER	1			S=0,75		
---	0730.105.441		WASHER	1			S=0,85		
---	0730.107.807		WASHER	1			S=0,80		
80	0750.117.354		TAPER ROLLER BEARING	1			44,450X88,900X30,162		
110	---		RING	1					
---	0730.162.002		RING	1			S=15,1		
---	0730.162.003		RING	1			S=15,2		
---	0730.162.004		RING	1			S=15,3		
---	0730.162.005		RING	1			S=15,4		
---	0730.162.006		RING	1			S=15,5		
---	0730.162.007		RING	1			S=15,6		
---	0730.162.008		RING	1			S=15,7		
---	0730.162.009		RING	1			S=15,8		
---	0730.162.010		RING	1			S=15,9		

Parts list

Page 2 from 3



MS 2045 /

Material number: 4475.006.113

Plant: 447510225300

Material-assembly-group-no: 4475.102.253

Pos.	Material number	Customer material	Name	Quantity	ME	Amend. no.	Techn. Info.	Rep kit	Alternative material
---	0730.162.011		RING	1			S=16,0		
---	0730.162.012		RING	1			S=16,1		
---	0730.162.013		RING	1			S=16,2		
---	0730.162.014		RING	1			S=16,3		
---	0730.162.015		RING	1			S=16,4		
---	0730.162.207		RING	1			S=16,26		
---	0730.162.208		RING	1			S=16,23		
---	0730.162.209		RING	1			S=16,16		
---	0730.162.210		RING	1			S=16,13		
---	0730.162.211		RING	1			S=16,06		
---	0730.162.212		RING	1			S=16,03		
---	0730.162.213		RING	1			S=15,96		
---	0730.162.214		RING	1			S=15,93		
---	0730.162.215		RING	1			S=15,86		
---	0730.162.216		RING	1			S=15,83		
---	0730.162.217		RING	1			S=15,76		
---	0730.162.218		RING	1			S=15,73		
---	0730.162.219		RING	1			S=15,66		
---	0730.162.220		RING	1			S=15,63		
---	0730.162.221		RING	1			S=15,56		
---	0730.162.222		RING	1			S=15,53		
---	0730.162.223		RING	1			S=15,46		
---	0730.162.224		RING	1			S=15,43		
---	0730.162.225		RING	1			S=15,36		
---	0730.162.226		RING	1			S=15,33		
---	0730.162.227		RING	1			S=15,26		
---	0730.162.629		RING	1			S=15,38		
---	0730.162.630		RING	1			S=15,48		
---	0730.162.631		RING	1			S=15,58		
---	0730.162.632		RING	1			S=15,68		
---	0730.162.893		RING	1			S=15,69		
---	0730.162.894		RING	1			S=15,72		
---	0730.162.895		RING	1			S=15,78		
---	0730.162.896		RING	1			S=15,81		

Parts list

Page 3 from 3



MS 2045 /

Material number: 4475.006.113

Plant: 447510225300

Material-assembly-group-no: 4475.102.253

Pos.	Material number	Customer material	Name	Quantity	ME	Amend. no.	Techn. Info.	Rep kit	Alternative material
---	0730.162.897		RING	1			S=15,84		
---	0730.162.898		RING	1			S=15,88		
---	0730.162.899		RING	1			S=15,89		
---	0730.162.900		RING	1			S=15,91		
---	0730.162.901		RING	1			S=15,94		
---	0730.162.902		RING	1			S=15,97		
150	0750.117.205		TAPERED ROLLER BEARING	1			34,925X72,233X25,400		
190	0734.319.672		MULTI SEALING RING	1			48X80X10/15,5		
270	0730.113.665		WASHER	1			S=6,0		
290	0637.011.044		HEXAGON NUT	1			M24X2		

Plant

Page 1 from 1

Material number: 4475.006.113

Plant: 447510244500

Material-assembly-group-no: 4475.102.445



MS 2045 /
INPUT FLANGE

There is presently no plate available for this parts list/ assembly.

Parts list

Page 1 from 1



MS 2045 /

Material number: 4475.006.113

Plant: 447510244500

Material-assembly-group-no: 4475.102.445

Pos.	Material number	Customer material	Name	Quantity	ME	Amend. no.	Techn. Info.	Rep kit	Alternative material
400	4475.306.301		END YOKE	1			DS-1410-N35x1,25		

Plant

Page 1 from 1

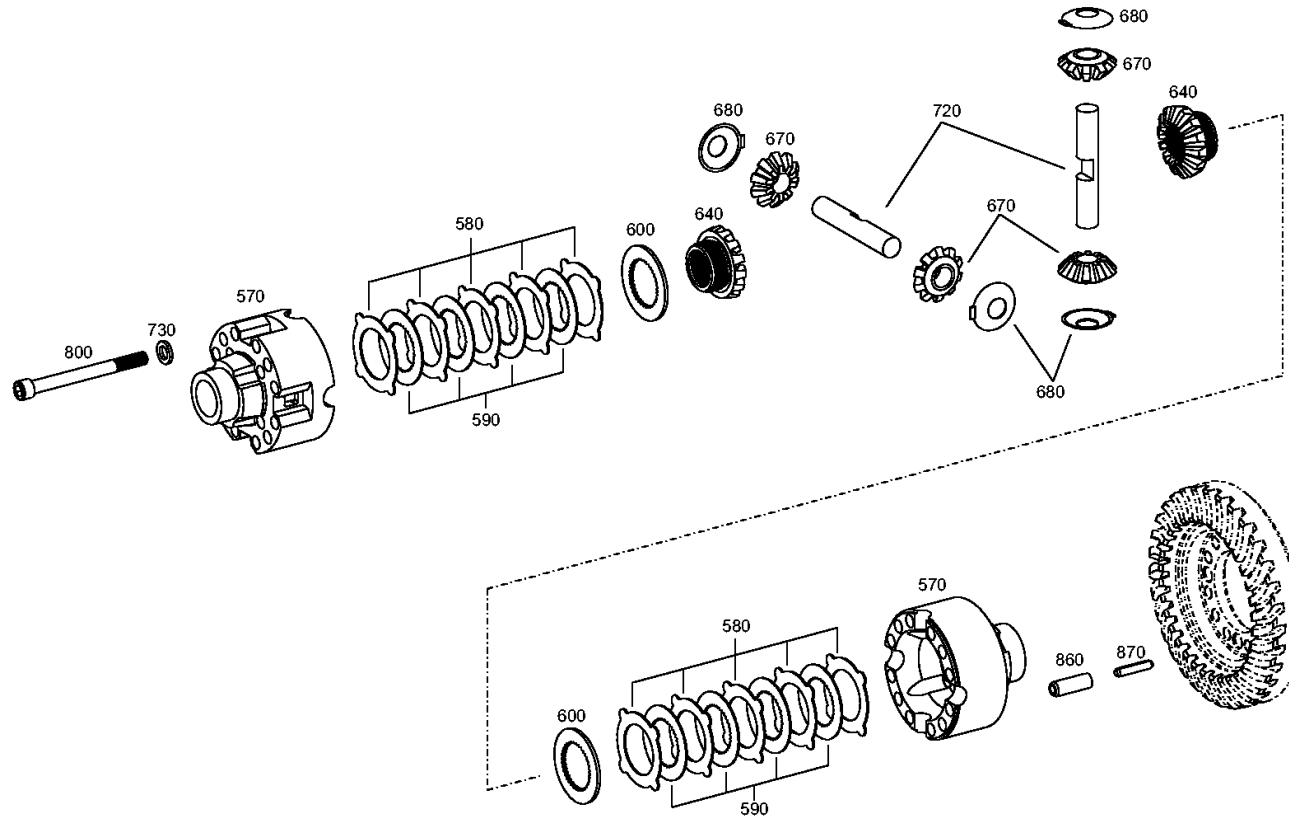
Material number: 4475.006.113

Plant: 413100308100

Material-assembly-group-no: 4131.003.081



MS 2045 /
LIMIT.SLIP DIFF



Parts list

Page 1 from 1



MS 2045 /

Material number: 4475.006.113

Plant: 413100308100

Material-assembly-group-no: 4131.003.081

Pos.	Material number	Customer material	Name	Quantity	ME	Amend. no.	Techn. Info.	Rep kit	Alternative material
570	4131.203.035		DIFF.CASE	1		K00955/0110			
580	---		OUTER CLUTCH DISK	10					
---	4131.303.193		OUTER CLUTCH DISK	1			A=1,2		
---	4131.303.194		OUTER CLUTCH DISK	1			A=1,3		
---	4131.303.195		OUTER CLUTCH DISK	1			A=1,4		
590	4131.303.130		INNER CLUTCH DISK	8		K01768/0410			
600	4131.303.054		PRESSURE DISK	2			S=3,2		
640	4131.303.207		AXLE BEVEL GEAR	2			Z=36*Z=26*Z=14		
670	4481.333.085		DIFFERENTIAL BEVEL GEAR	4			Z=10		
680	0730.105.010		THRUST WASHER	4					
720	4461.371.022		DIFFERENTIAL AXLE	2					
730	0730.103.246		WASHER	12			ENTHALT.IN 0730 105 412(2)		
800	0636.101.654		CAP SCREW	12			M12X1,5X130		
860	0631.328.599		SLOTTED PIN	4			14X40		
870	0631.328.619		SLOTTED PIN	4			8X40		

Plant

Page 1 from 1

Material number: 4475.006.113

Plant: 447510115700

Material-assembly-group-no: 4475.101.157



MS 2045 /
AXLE CASING

There is presently no plate available for this parts list/ assembly.

Parts list

Page 1 from 2



MS 2045 /

Material number: 4475.006.113

Plant: 447510115700

Material-assembly-group-no: 4475.101.157

Pos.	Material number	Customer material	Name	Quantity	ME	Amend. no.	Techn. Info.	Rep kit	Alternative material
80	---		SHIM	2					
---	0730.001.009		SHIM	1			A=2,00 IN 0730 005 413(2)		
---	0730.008.154		SHIM	1			A=1,95 IN 0730 005 413(2)		
---	0730.008.053		SHIM	1			A=1,90 IN 0730 005 413(2)		
---	0730.005.817		SHIM	1			A=1,85 IN 0730 005 413(2)		
---	0730.008.052		SHIM	1			A=1,80 IN 0730 005 413(2)		
---	0730.005.816		SHIM	1			A=1,75 IN 0730 005 413(2)		
---	0730.008.051		SHIM	1			A=1,70 IN 0730 005 413(2)		
---	0730.006.529		SHIM	1			A=1,65		
---	0730.006.528		SHIM	1			A=1,60		
---	0730.006.527		SHIM	1			A=1,55		
---	0730.006.526		SHIM	1			A=1,50		
---	0730.006.525		SHIM	1			A=1,45		
---	0730.001.010		SHIM	1			A=1,40 IN 0730 005 413(2)		
---	0730.002.277		SHIM	1			A=1,20 IN 0730 005 413(2)		
---	0730.000.123		SHIM	1			A=1,00 IN 0730 005 413(2)		
---	0730.000.124		SHIM	1			A=0,80 IN 0730 005 413(2)		
---	0730.001.011		SHIM	1			78X89,8X0,6		
---	0730.000.125		SHIM	1			A=0,50 IN 0730 005 413(2)		
---	0730.001.012		SHIM	1			78X89,8X0,4		
---	0730.002.280		SHIM	1			A=0,30 IN 0730 005 413(2)		
---	0730.000.126		SHIM	1			A=0,20 IN 0730 005 413(2)		
---	0730.000.127		SHIM	1			A=0,10 IN 0730 005 413(2)		
---	0730.006.513		SHIM	1			A=0,65		
---	0730.006.514		SHIM	1			A=0,70		
---	0730.006.515		SHIM	1			A=0,75		
---	0730.006.516		SHIM	1			A=0,85		
---	0730.006.517		SHIM	1			A=0,90		
---	0730.006.518		SHIM	1			A=0,95		
---	0730.006.520		SHIM	1			A=1,10		
---	0730.006.521		SHIM	1			A=1,15		
---	0730.006.522		SHIM	1			A=1,25		
---	0730.006.523		SHIM	1			A=1,30		
---	0730.006.524		SHIM	1			A=1,35		

Parts list

Page 2 from 2



MS 2045 /

Material number: 4475.006.113

Plant: 447510115700

Material-assembly-group-no: 4475.101.157

Pos.	Material number	Customer material	Name	Quantity	ME	Amend. no.	Techn. Info.	Rep kit	Alternative material
---	0730.005.708		SHIM	1			A=0,45		
---	0730.005.709		SHIM	1			A=0,55		
---	0730.006.519		SHIM	1			A=1,05		
---	0730.007.783		SHIM	1			A=2,05 IN 0730 005 413(2)		
---	0730.007.784		SHIM	1			A=2,10 IN 0730 005 413(2)		
---	0730.007.785		SHIM	1			A=2,15 IN 0730 005 413(2)		
---	0730.007.786		SHIM	1			A=2,20 IN 0730 005 413(2)		
---	0730.007.787		SHIM	1			A=2,25 IN 0730 005 413(2)		
---	0730.008.292		SHIM	1			A=2,30 IN 0730 005 413(2)		
---	0730.008.293		SHIM	1			A=2,35 IN 0730 005 413(2)		
---	0730.008.294		SHIM	1			A=2,40 IN 0730 005 413(2)		
---	0730.008.295		SHIM	1			A=2,45 IN 0730 005 413(2)		
---	0730.008.296		SHIM	1			A=2,50 IN 0730 005 413(2)		
90	0750.117.802		TAPERED ROLLER BEARING	1		K01637/0110	50,000X90,000X21,750		
100	0750.117.785		TAPER ROLLER BEARING	1			55,000X90,000X23,000		
120	0634.303.996		O-RING	1			192X3		
128	0636.011.204		HEXAGON SCREW	16			M16X60		
140	0730.102.696		WASHER	16					
180	0730.365.292		TYPE PLATE	1			ZF-Standard/Stankov		
240	4475.280.161		SCREW PLUG	1		K01854/0610	M36X1,5 MIT O-RING		
/20	0634.304.654		O-RING	1			33X2,2		
250	4475.280.162		SCREW PLUG	1			M36X1,5 MIT O-RING		
/20	0634.304.654		O-RING	1			33X2,2		
340	0501.315.509		BUSH	2					
350	0734.300.610		SHAFT SEAL	2		Z00029534310	46,0X65,0X21,0		

Plant

Page 1 from 1

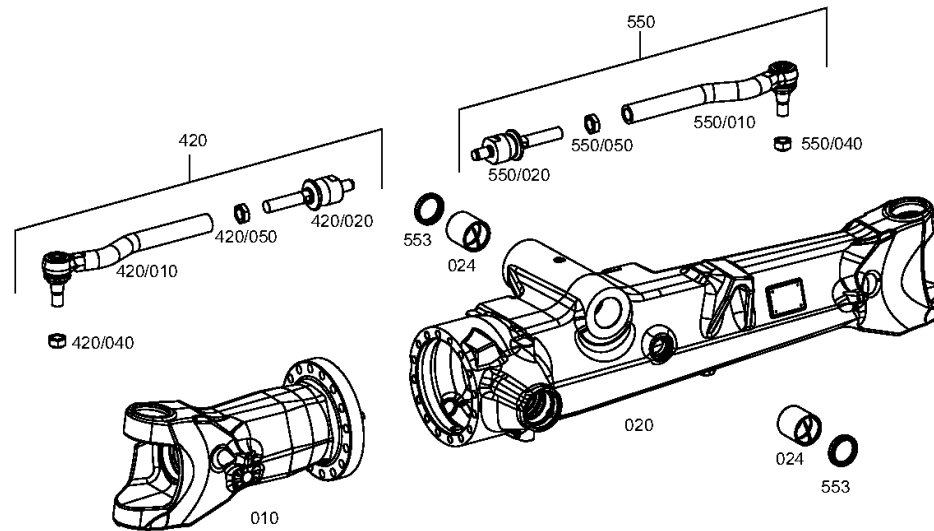
Material number: 4475.006.113

Plant: 447510160200

Material-assembly-group-no: 4475.101.602



MS 2045 /
AXLE CASING



Parts list

Page 1 from 1



MS 2045 /

Material number: 4475.006.113

Plant: 447510160200

Material-assembly-group-no: 4475.101.602

Pos.	Material number	Customer material	Name	Quantity	ME	Amend. no.	Techn. Info.	Rep kit	Alternative material
10	4475.306.376		AXLE CASING	1					
20	4475.306.473		AXLE CASING	1					
24	0501.320.618		CLAMPING BUSH	2					
420	0501.008.267		TIE ROD	1		K04762/0710	D-Teil		
/10	0501.214.016		BALL JOINT	1					
/20	0501.214.183		AXIAL JOINT	1					
/40	0501.320.733		LOCKING NUT	1			M30X1,5		
/50	0501.320.732		HEXAGON NUT	1					
550	0501.008.268		TIE ROD	1		K04762/0710	D-Teil		
/10	0501.214.015		BALL JOINT	1					
/20	0501.214.183		AXIAL JOINT	1					
/40	0501.320.733		LOCKING NUT	1			M30X1,5		
/50	0501.320.732		HEXAGON NUT	1					
553	0734.307.411		SCRAPER	2					

Plant

Page 1 from 1

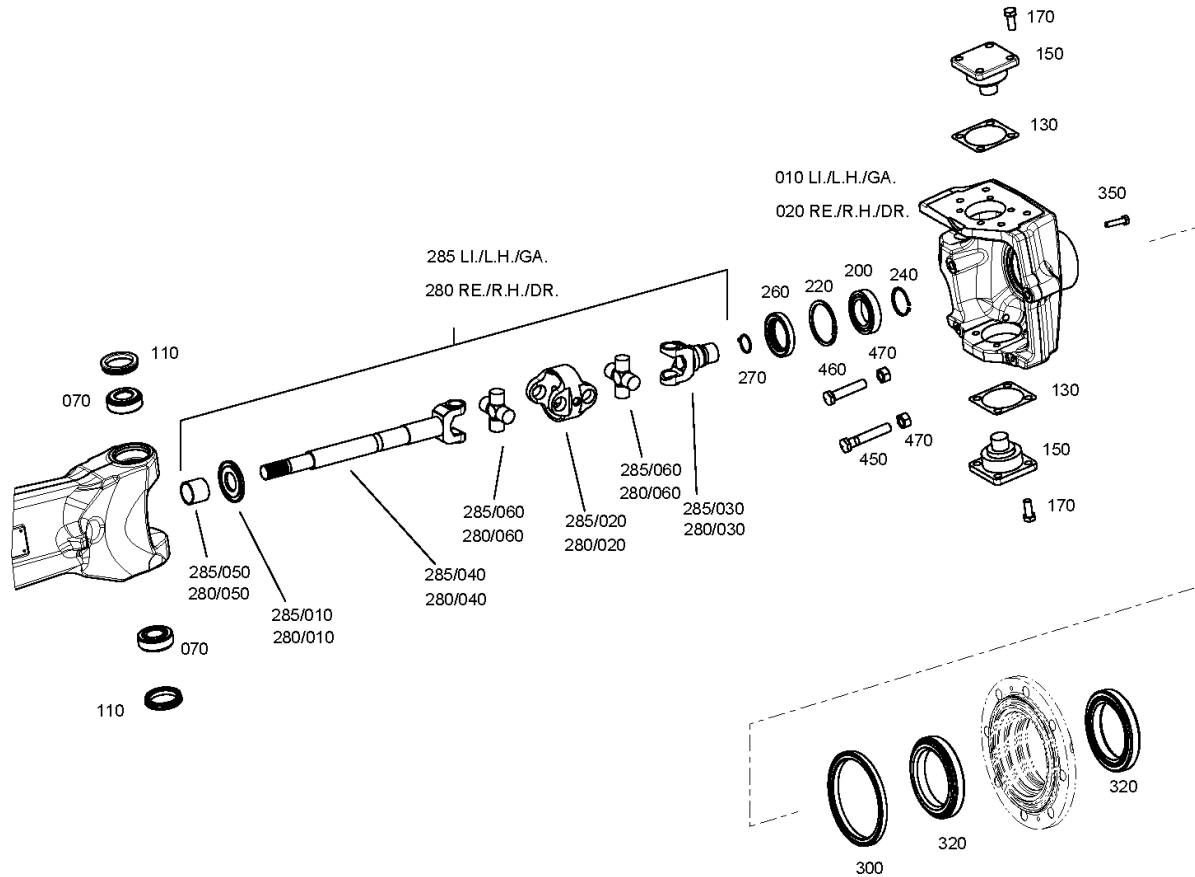
Material number: 4475.006.113

Plant: 447510318000

Material-assembly-group-no: 4475.103.180



MS 2045 /
JOINT HOUSING



Parts list

Page 1 from 2



MS 2045 /

Material number: 4475.006.113

Plant: 447510318000

Material-assembly-group-no: 4475.103.180

Pos.	Material number	Customer material	Name	Quantity	ME	Amend. no.	Techn. Info.	Rep kit	Alternative material
10	4475.306.378		JOINT HOUSING	1			Z=55		
20	4475.306.379		JOINT HOUSING	1			Z=55		
70	0750.117.205		TAPERED ROLLER BEARING	4			34,925X72,233X25,400		
110	0734.309.390		MULTI SEALING RING	4			57-76-13,8		
130	---		SHIM	2					
---	4475.307.017		SHIM	1			S=0,2		
---	4475.307.018		SHIM	1			S=0,3		
---	4475.307.019		SHIM	1			S=0,4		
---	4475.307.020		SHIM	1			S=0,6		
---	4475.307.021		SHIM	1			S=0,8		
---	4475.307.022		SHIM	1			S=1,0		
---	4475.307.023		SHIM	1			S=1,2		
---	4475.307.024		SHIM	1			S=1,4		
---	4475.307.025		SHIM	1			S=1,6		
---	4475.307.026		SHIM	1			S=1,8		
---	4475.307.027		SHIM	1			S=2,0		
---	4475.307.058		SHIM	1			S=0,7		
---	4475.307.059		SHIM	1			S=0,5		
150	4475.317.030		BEARING PIN	4					
170	0636.016.114		HEXAGON SCREW	16			M14X35		
200	0635.331.224		BALL BEARING	2			55X90X18		
220	0630.502.042		RETAINING RING	2			90X3		
240	0630.501.038		RETAINING RING	2			55X2		
260	0734.309.758		CASSETTE RING	2			66,15X91X12,5/14		
270	4472.354.026		RETAINING RING	2			33,4x2		
280	0501.008.686		D.UNIVERS.SHAFT	1					
/10	4475.306.013		SCREEN SHEET	1					
/20	0501.329.890		CENTRAL PIECE	1					
/30	0501.320.990		JOINT FORK	1					
/40	0501.320.991		JOINT FORK	1					
/50	4475.306.112		BUSH	1					
/60	0501.219.461		JOINT CROSS	2					
285	0501.008.687		D.UNIVERS.SHAFT	1					
/10	4475.306.013		SCREEN SHEET	1					

Parts list

Page 2 from 2



MS 2045 /

Material number: 4475.006.113

Plant: 447510318000

Material-assembly-group-no: 4475.103.180

Pos.	Material number	Customer material	Name	Quantity	ME	Amend. no.	Techn. Info.	Rep kit	Alternative material
/20	0501.329.890		CENTRAL PIECE	1					
/30	0501.320.990		JOINT FORK	1					
/40	0501.320.989		JOINT FORK	1					
/50	4475.306.112		BUSH	1					
/60	0501.219.461		JOINT CROSS	2					
300	0734.309.401		SHAFT SEAL	2			167,8X198,0X13,0/17,0		
320	0750.117.570		TAPERED ROLLER BEARING	4			120,000X170,000X27,000		
350	0636.010.665		HEXAGON SCREW	16			M10X45		
450	0736.020.146		STOP SCREW	2		Z00035615910	M18x1,5x105		
460	0736.020.113		STOP SCREW	2		Z00035615910	M18x1,5x85		
470	0637.006.043		HEXAGON NUT	4			M18X1,5		

Plant

Page 1 from 1

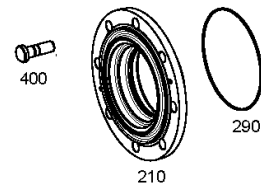
Material number: 4475.006.113

Plant: 447510347600

Material-assembly-group-no: 4475.103.476



MS 2045 /
JOINT HOUSING



Parts list

Page 1 from 1



MS 2045 /

Material number: 4475.006.113

Plant: 447510347600

Material-assembly-group-no: 4475.103.476

Pos.	Material number	Customer material	Name	Quantity	ME	Amend. no.	Techn. Info.	Rep kit	Alternative material
210	4475.307.037		HUB	2		Z00027182910			
290	0634.303.229		O-RING	2		Z00027182910	200X3		
400	4474.353.077		WHEEL STUD	16		Z00027182910	M22X1,5X74		

Plant

Page 1 from 1

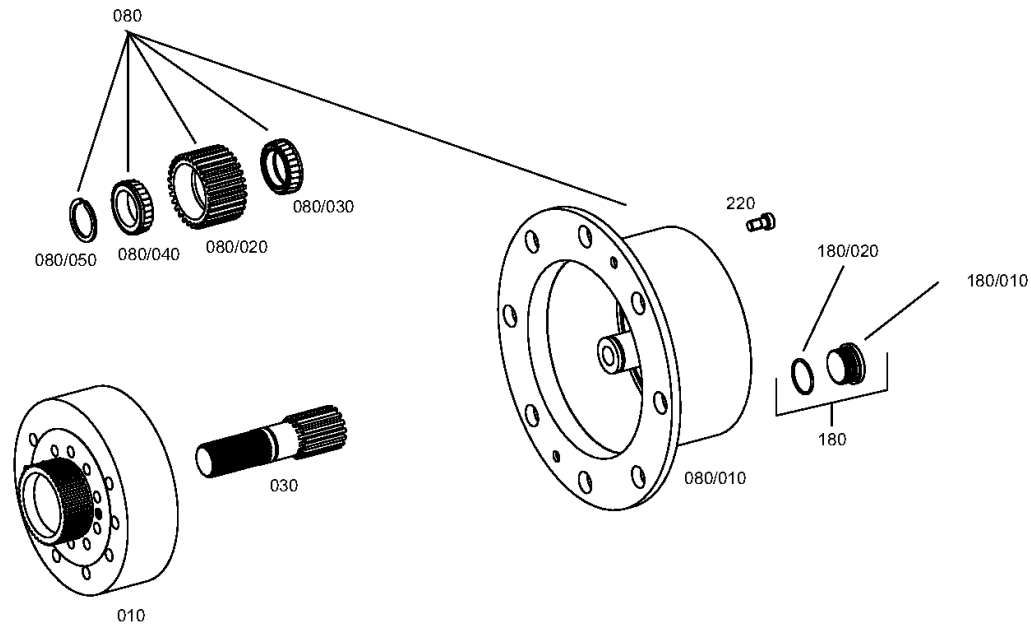
Material number: 4475.006.113

Plant: 447510416100

Material-assembly-group-no: 4475.104.161



MS 2045 /
PLANETARY DRIVE



Parts list

Page 1 from 1



MS 2045 /

Material number: 4475.006.113

Plant: 447510416100

Material-assembly-group-no: 4475.104.161

Pos.	Material number	Customer material	Name	Quantity	ME	Amend. no.	Techn. Info.	Rep kit	Alternative material
10	4475.307.008		RING GEAR	2			Z=80		
30	4475.307.071		SUN GEAR	2			Z=16*Z=26		
80	4475.236.014		PLANET CARRIER	2					
/10	4475.336.280		PLANET CARRIER	1					
/50	0630.501.030		RETAINING RING	3			38X1,75		
180	4475.280.162		SCREW PLUG	2			M36X1,5 MIT O-RING		
/20	0634.304.654		O-RING	1			33X2,2		
220	0636.102.041		CAP SCREW	4			M10X20		

Plant

Page 1 from 1

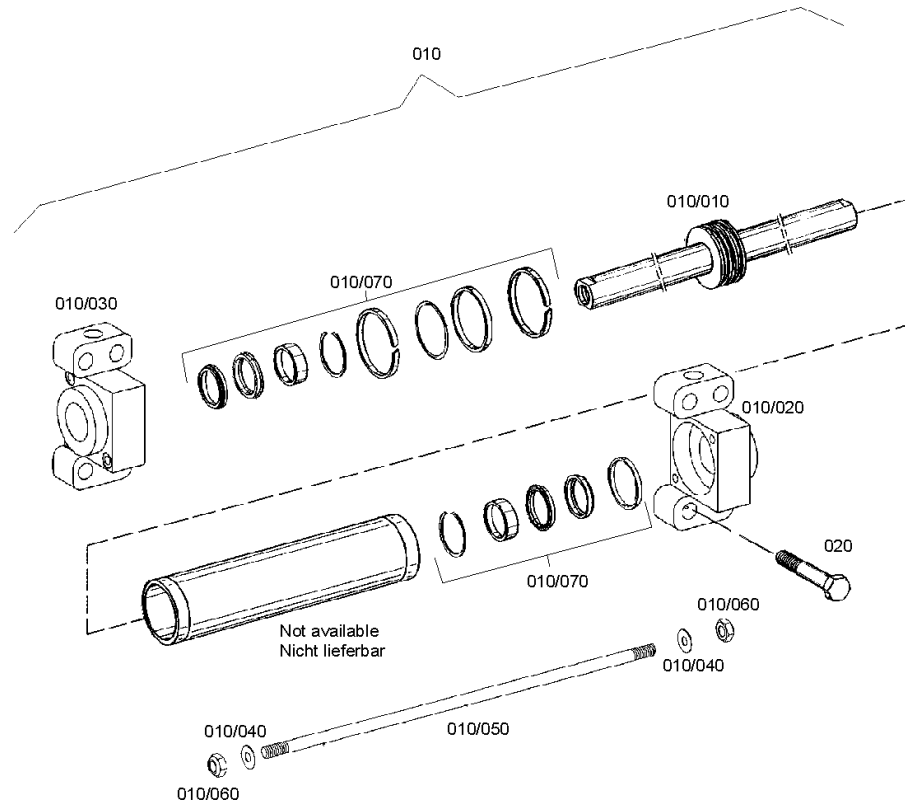
Material number: 4475.006.113

Plant: 447510510000

Material-assembly-group-no: 4475.105.100



MS 2045 /
STEERING



Parts list

Page 1 from 1



MS 2045 /

Material number: 4475.006.113

Plant: 447510510000

Material-assembly-group-no: 4475.105.100

Pos.	Material number	Customer material	Name	Quantity	ME	Amend. no.	Techn. Info.	Rep kit	Alternative material
10	0501.219.109		STEERING CYLINDER	1			75x50x266		
/10	0501.219.467		PISTON ROD	1					
/20	0501.329.891		GUIDE PIECE	1					
/30	0501.329.892		GUIDE PIECE	1					
/40	0501.329.893		WASHER	2					
/50	0501.321.002		TIE ANCHOR	1					
/60	0501.329.894		HEXAGON NUT	2					
/70	0501.298.413		SEAL KIT	1					
20	0636.011.429		HEXAGON SCREW	8			M20X80		